

LONDON BRIDGE



SPECS



x 120



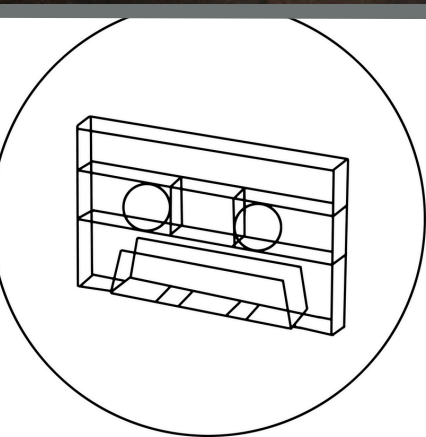
SERVES FOOD



**1AM LICENSE
EXTENSION AVAILABLE**



**CAN BRING OWN
DJ**



**W: www.PublicSpaceLDN.com
E: Enquiries@PublicSpaceLDN.com
T: +447865 722 676**

MINIMUM SPENDS

A minimum spend at a venue is how much you and your guests must spend. However, if the minimum spend is not met, you will have to pay the difference.

ROOM HIRE FEE

All Room Hire fees are non refundable unless in the event of a cancellation by a Public Space partner.

CAPACITIES

Standing	120
Seated	-
Sq/f	2000

VENUE SPECS

Air Conditioning
Toilet
Dancefloor

LICENSING

*Alcohol License till
1am
Late License
Noise Restrictions

TECHICAL

*DJ Available
Bring your own DJ
PA System
Music Speakers

*Extension available. Please request new minimum spend quote to book out the venue till 3am.

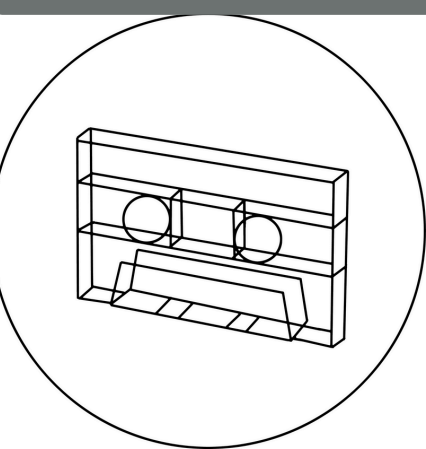
*DJ hire available from £300

CATERING

Venue Offers Catering
Tables & Chairs
Allowed to bring own
cake
Food included in
Spend

PERFECT FOR

Birthday Party
Private Party
Christmas party
Corporate party
Bridal Shower
Engagement party
Leaving party



W: www.PublicSpaceLDN.com
E: Enquiries@PublicSpaceLDN.com
T: +447865 722 676