

# CLAPHAM



x 50

## SPECS



-



SERVES FOOD

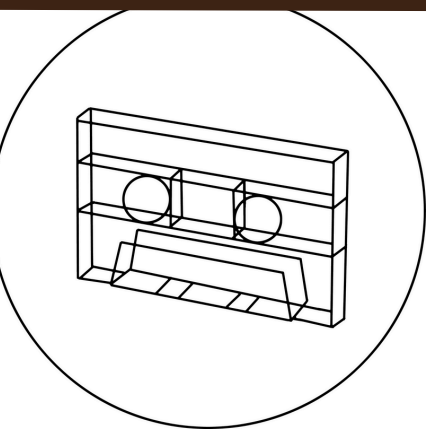


1AM LICENSE

EXTENSION AVAILABLE



CAN BRING OWN  
DJ



W: [www.PublicSpaceLDN.com](http://www.PublicSpaceLDN.com)  
E: [Enquiries@PublicSpaceLDN.com](mailto:Enquiries@PublicSpaceLDN.com)  
T: +447865 722 676



## MINIMUM SPENDS

A minimum spend at a venue is how much you and your guests must spend. However, if the minimum spend is not met, you will have to pay the difference.

## ROOM HIRE FEE

All Room Hire fees are non refundable unless in the event of a cancellation by a Public Space partner.

## CAPACITIES

Standing	50
Seated	
Sq/f	350

## VENUE SPECS

Air Conditioning  
Toilet  
Dancefloor

## LICENSING

\*Alcohol License till  
1am  
Late License  
Noise Restrictions

## TECHICAL

DJ Available  
Bring your own DJ  
PA System  
Music Speakers

\*Extension available. Please request new minimum spend quote to book out the venue till 3am.

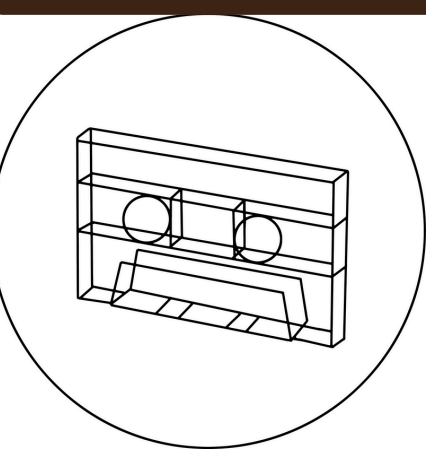
\*DJ hire available from £300

## CATERING

Venue Offers Catering  
Tables & Chairs  
Allowed to bring own  
cake  
Food included in  
Spend

## PERFECT FOR

Birthday Party  
Private Party  
Christmas party  
Corporate party  
Bridal Shower  
Engagement party  
Leaving party



W: [www.PublicSpaceLDN.com](http://www.PublicSpaceLDN.com)  
E: [Enquiries@PublicSpaceLDN.com](mailto:Enquiries@PublicSpaceLDN.com)  
T: +447865 722 676