

# MENU

## COCKTAILS

**RUST BELT - 9.5**

**AMARANTH SOUR - 9.5**

**JUDGEMENT DAY - 9.5**

**LONG WAY JOHNNY - 11**

**WHITE ACID - 9.5**

**WAFFLE FASHIONED - 10**

**OPEN YOUR MIND - 12**

**BRAZILIAN TEA PUNCH - 9.5**

**CINNAMON SOUR - 11**

**TEQUILA SWEET & SOUR - 11**

**POLLY - 9.5**

**RIO BRAVO - 9.5**

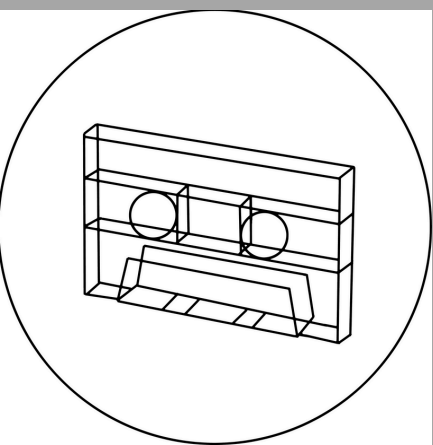
**TURIN COBLER - 9.5**

**LAST MINUTE - 9.5**

**SCRATCHES - 9.5**

**HOWTON HIPSTER - 9.5**

**STRITZ - 9.5**



# **WHITE**

**TERRES DES OLIVETTES- 7.5/25**

**WHITE BURGUNDY - 9.5/35**

# **RED**

**TERRES DES OLIVETTES- 7.5/25**

**CHATEAU LYNONNAT - 9.5/35**

# **ROSE**

**CHATEAU LES MESCLANCES - 7.5/25**

# **CHAMPAGNE**

**VINTAGE CREMANT - 10.5/50**

**CHAMPAGNE PREMIER CRU- 12.5/70**

**GOSSET GRAND RESERVE - 100**

# **BEER**

**BY THE BOTTLE - 5.5**

