

MENU

SMALL PLATES

Blistered Pitta bread with olive butter

£3.5

add selection of dips

skordalia, muhammara, hummus

£4.5

House Biscuit

Maple Creme Fraiche, sticky bacon

£6.5

Warm Marinated Olives

Fennel pollen, orange, raw honey

£5

Pork belly skewers

Gochujang beurre blanc, pork crackling chips

£8

Makdous

Preserved baby eggplant with walnuts

£9

Chargrilled Octopus

Ouzo glaze, cashew muhammara, kalamata olive

£16

BBQ Brisket croquettes

jalapeno alioli, oakwood smoked cheddar, bechamel

£9

Corn Ribs

Rhubarb Ketchup, caramel popcorn, BRIX spice blend

£7

MAINS

Barbeque Aubergine

Tahini, grilled watermelon rind salsa, marjoram, pitta bread

£14

Grilled whole dorado

Skordalia, beet greens, lemon

£22

Grilled marinated Prawns

Patron hollandaise, tarragon and Aleppo chili crumble

£24

Short Rib Hummus

Red Wine braised, saffron brown butter, pomegranate, pitta chips

£20

Half Grilled Chicken

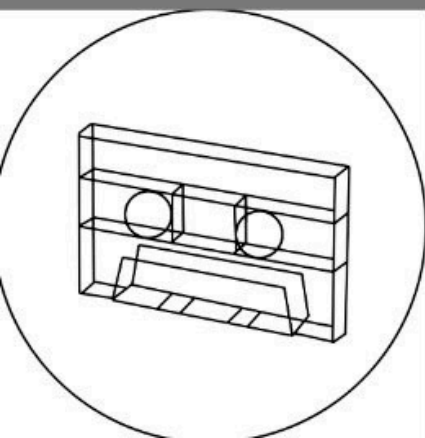
Charred Welsh onions, rose petals, jus

£17

Crispy Chicken Burger

Grilled Pineapple, kale slaw, buffalo mayonnaise

£15



STEAKS

Hanger Steak

250g Dry aged, Mojo picon with olives, fire roasted jersey royals with beetroot- jalapeno chimichurri alioli
£18

Tomahawk Ribeye

800g Dry aged, Mojo picon with olives, fire roasted jersey royals with beetroot- jalapeno chimichurri alioli
£55

SALADS

Watermelon Fattoush Salad

Purslane, pomegranate, lettuce, mint, feta mousse, cucumber, onions, sumac pita croutons
£14

BRIX Caesar Salad

Charred escarole, chickpea croutons, grapefruit, parmesan
£12

Isle of Wight Tomato Salad

Kalamata olive tapanade, red onion, cucumber, fried garlic, sherry vinegar
£12

SIDES

Tenderstem broccoli,
Tahini miso, crispy quinoa

£5

Fries,

Beef fat, BRIX spice blend

£4.5

Fire roasted jersey royals

With beetroot-jalapeno chimichurri alioli

£5.5

Salt baked beetroot and carrot
with smoked carrot tzatziki

£5

DESSERTS

Baklava Cheesecake

Baked Cheesecake, pistachios

£10

Bananas Foster Tart Tatin

Patron, Banana peel ice cream

£9

Cheese board

House made seasonal jam, grapes, butter crackers

£18

